



Quickie Ti Titanium



ORDERING INFORMATION PHONE: (800) 263-3390, FAX: (800) 561-5834, WEBSITE: www.sunrisemedical.ca
January 1st, 2007

ACCOUNT INFORMATION

Account No: _____ Drop Ship/Ship To: _____
 Date: _____ Name: _____
 P.O. #: _____ Address: _____
 Buyer: _____ City: _____ Province: _____
 Marked For: _____ Postal code: _____ Phone Number: _____

QUICKIE TI TITANIUM

WMA4QU020 Quickie Ti Titanium \$4,735.00

FRAMES

(Letters in () refer to diagram on page 3.)

(A) Seat Width

<input type="checkbox"/> 125S4	13"	NC
<input type="checkbox"/> 125S5	14"	NC
<input type="checkbox"/> 125S6	15"	NC
<input type="checkbox"/> 125S7	16"	NC
<input type="checkbox"/> 125S8	17"	NC
<input type="checkbox"/> 125S9	18"	NC

(B) Seat Depth

<input type="checkbox"/> 125SD7	14"	NC
<input type="checkbox"/> 125SD8	15"	NC
<input type="checkbox"/> 125SD9	16"	NC
<input type="checkbox"/> 125SD10	17"	NC
<input type="checkbox"/> 125SD11	18"	NC
<input type="checkbox"/> 125SD12	19"	NC

(C) Front Seat Height ¹

<input type="checkbox"/> 125SH14	16" ²	NC
<input type="checkbox"/> 125SH15	16-1/2" ²	NC
<input type="checkbox"/> 125SH16	17"	NC
<input type="checkbox"/> 125SH17	17-1/2"	NC
<input type="checkbox"/> 125SH18	18"	NC
<input type="checkbox"/> 125SH20	18-1/2"	NC
<input type="checkbox"/> 125SH21	19"	NC
<input type="checkbox"/> 125SH23	19-1/2"	NC
<input type="checkbox"/> 125SH24	20"	NC

(D) Rear Seat Height ¹

<input type="checkbox"/> 125RH13	14"	NC
<input type="checkbox"/> 125RH14	14-1/2"	NC
<input type="checkbox"/> 125RH15	15"	NC
<input type="checkbox"/> 125RH16	15-1/2"	NC
<input type="checkbox"/> 125RH17	16"	NC
<input type="checkbox"/> 125RH18	16-1/2"	NC
<input type="checkbox"/> 125RH19	17"	NC
<input type="checkbox"/> 125RH26	17-1/2"	NC
<input type="checkbox"/> 125RH20	18"	NC
<input type="checkbox"/> 125RH27	18-1/2"	NC
<input type="checkbox"/> 125RH21	19"	NC

(E) Frame Angle

<input type="checkbox"/> 125FA7	70°	NC
<input type="checkbox"/> 125FA8	80°	NC
<input type="checkbox"/> 125FA2	85°	NC

(F) Frame Inset (see diagram for instructions)

<input type="checkbox"/> 125FF1	0" (footrest width=frame width-2")	NC
<input type="checkbox"/> 125FF2	1" (footrest width=frame width-4")	NC
<input type="checkbox"/> 125FF3	2" (footrest width=frame width-6") ³	NC

SEATING

Cushion

<input type="checkbox"/> 125CU1	2" Cushion	\$152.00
<input type="checkbox"/> 125SL6	Omit Seat Sling	-\$18.00

Back Type

(Choose from Option 1 or 2; 3 is optional)

1. Titanium Fixed Height Backrest (Angle Adjustable)

<input type="checkbox"/> 125BT42	Titanium Folding	NC
<input type="checkbox"/> 125BT44	Titanium Non-Folding	NC

Back Height

<input type="checkbox"/> 125BB3	10"	NC
<input type="checkbox"/> 125BB4	11"	NC
<input type="checkbox"/> 125BB5	12"	NC
<input type="checkbox"/> 125BB6	13"	NC
<input type="checkbox"/> 125BB7	14"	NC
<input type="checkbox"/> 125BB8	15"	NC

125BT1

2. Aluminum Folding Height Adjustable Backrest (Angle Adjustable)

<input type="checkbox"/> 125BA1	11" - 14" Back Height ⁴	\$98.00
<input type="checkbox"/> 125BA2	12" - 16" Back Height	\$98.00
<input type="checkbox"/> 125BA3	14" - 18" Back Height	\$98.00
<input type="checkbox"/> 125BA4	16" - 20" Back Height	\$98.00

3. Backrest Options

<input type="checkbox"/> 125BU1	Standard Upholstery	NC
<input type="checkbox"/> 125BU8	WAMD/WAME 18" Adjustable Upholstery	\$229.00
<input type="checkbox"/> 125BU14	Omit Back Upholstery	-\$18.00
<input type="checkbox"/> 125PH5	Fold-Down Push Handles ^{4,5}	\$135.00
<input type="checkbox"/> 125BT33	Integral Push Handles ⁶	NC
<input type="checkbox"/> 125BU34	Jay Precision Back Med w/ Laterals	\$516.00
<input type="checkbox"/> 125BU35	Jay Precision Back Tall w/ Laterals	\$546.00
<input type="checkbox"/> 125BU41	Jay Precision Back Med omit Laterals	\$516.00
<input type="checkbox"/> 125BU42	Jay Precision Back Tall omit Laterals	\$546.00
<input type="checkbox"/> 125KE22	Lateral Pad Symmetric Swing Away	\$416.00
<input type="checkbox"/> 125KE20	Lateral Pad Symmetric Swing Away	\$225.00
<input type="checkbox"/> 125KE19	Lateral Pad Asymmetric	\$225.00
<input type="checkbox"/> 125KE21	Lateral Pad Asymmetric Swing Away	\$416.00

FOOTNOTES:

- Tallest Rear Seat Height=Front Seat Height-1"; Shortest Rear Seat Height=Front Seat Height-3.5". (Minimum of 1" - Maximum of 3.5" front to rear seat angle within the options available.)
- Not available with 5" caster.
- Not available with 13" seat width.
- 11"-14" Back height not available with Aluminum Folding Backrest and Fold-Down Push Handles.
- Available only with Adjustable Upholstery or Omit Upholstery.
- Only available with Aluminum Backrest.

An ADP code does not ensure coverage or payment. For coverage information, contact an ADP authorizer or an ADP authorized Vendor.

FOOTREST**Footrest**¹

<input type="checkbox"/>	125F67	Titanium Tubular	NC
<input type="checkbox"/>		Titanium Tubular Long	NC
<input type="checkbox"/>	125F68	Titanium Tubular w/Flat Cover	NC
<input type="checkbox"/>		Titanium Tubular w/Flat Cover Long	NC
<input type="checkbox"/>	125F69	Titanium Tubular w/Flared Cover ²	\$78.00
<input type="checkbox"/>		Titanium Tubular w/Flared Cover Long	\$78.00
<input type="checkbox"/>	125F50	Aluminum Platform Footrest	\$88.00

Adaptive Platform Spacer³

<input type="checkbox"/>	125AD1	Adaptive Platform 2" Spacer	\$146.00
<input type="checkbox"/>	125AD2	Adaptive Platform 4" Spacer	\$146.00
<input type="checkbox"/>	125AD3	Adaptive Platform 6" Spacer	\$146.00

ARMREST**Armrest**

<input type="checkbox"/>	025AA15	Padded Swing-Away Armrest ⁴	\$252.00
<input type="checkbox"/>	025AA14	Omit Armrest	NC

CASTERS**Casters**

<input type="checkbox"/>	125CW1	3" Micro	NC
<input type="checkbox"/>	125CW30	3" Micro Lighted	\$60.00
<input type="checkbox"/>	125CW3	4" Low Profile Polyurethane	\$90.00
<input type="checkbox"/>	125CW31	4" Micro Lighted	\$90.00
<input type="checkbox"/>	125CW5	5" Low Profile Polyurethane ⁵	NC

Rear Wheel Axle Spacing

(L) (Note: Inside of wheel to outside of backrest tube)

<input type="checkbox"/>	125AV5	3/4" ⁶	NC
<input type="checkbox"/>	125AV2	1" ⁷	NC
<input type="checkbox"/>	125AV6	1-1/4"	NC
<input type="checkbox"/>	125AV3	1-1/2"	NC

Rear Wheel Size⁸

<input type="checkbox"/>	125RW2	24" Spoke Wheel (540) ^{9,20}	NC
<input type="checkbox"/>	125RW11	26" Spoke Wheel (590) ⁹	\$75.00
<input type="checkbox"/>	125RW17	24" QP Tennis Wheel (540) ^{9,20}	\$320.00
<input type="checkbox"/>	125RW27	24" QP Basketball Wheel (540) ^{9,20}	\$320.00
<input type="checkbox"/>	125RW18	26" QP Tennis Wheel (590) ⁹	\$400.00
<input type="checkbox"/>	125RW20	26" QP Basketball Wheel (590) ⁹	\$400.00
<input type="checkbox"/>	125RW23	24" QP Heat Ttd Tennis 32H (559) ^{10,21}	\$381.00
<input type="checkbox"/>	125RW21	24" QP Heat Ttd Tennis 36H (559) ¹⁰	\$400.00
<input type="checkbox"/>	125RW19	24" QP Heat Ttd Basketball (559) ¹⁰	\$381.00
<input type="checkbox"/>	125RW22	26" QP Heat Ttd Tennis 36H (590) ²²	\$463.00
<input type="checkbox"/>	125RW26	26" QP Heat Ttd Basketball (590) ²²	\$463.00
<input type="checkbox"/>	125RW30	24" Spinerger (540) Yellow Spokes ¹²	\$950.00
<input type="checkbox"/>	125RW42	24" Spinerger (540) Black Spokes ^{11,12}	\$950.00
<input type="checkbox"/>	125RW43	24" Spinerger (559) Black Spokes ^{11,12}	\$950.00
<input type="checkbox"/>	125RW24	26" Spinerger (590) Yellow Spokes ^{11,12,2}	\$950.00
<input type="checkbox"/>	125RW44	26" Spinerger (590) Black Spokes ^{11,12,23}	\$950.00

Rear Wheel Tire

<input type="checkbox"/>	125RT1	Pneumatic	NC
<input type="checkbox"/>	125RT2	Pneumatic Airless Insert ^{13,14}	\$200.00
<input type="checkbox"/>	125RT5	Turbo Tread	NC
<input type="checkbox"/>	125RT6	High-Pressure Clincher	NC
<input type="checkbox"/>	125RT7	Latex Tubular	\$185.00
<input type="checkbox"/>	125RT8	Kevlar ¹³	\$83.00

Handrim

<input type="checkbox"/>	125HR1	Aluminum Anodized	NC
<input type="checkbox"/>	125HR4	WAMO Plastic Coated	\$65.00
<input type="checkbox"/>	125HR7	Omit Handrim	-\$12.00

Center of Gravity Preset¹⁵

(M) (Preset - measured forward of backrest tubes)

<input type="checkbox"/>	125CC1	1/2" ¹⁶	NC
<input type="checkbox"/>	125CC2	1" ¹⁶	NC
<input type="checkbox"/>	125CC3	1-1/2"	NC
<input type="checkbox"/>	125CC4	2"	NC
<input type="checkbox"/>	125CC5	2-1/2"	NC
<input type="checkbox"/>	125CC6	3"	NC
<input type="checkbox"/>	125CC7	3-1/2"	NC
<input type="checkbox"/>	125CC8	4" ¹⁵	NC
<input type="checkbox"/>	125CC9	4-1/2" ¹⁵	NC

Axle

<input type="checkbox"/>	125AX1	Quick Release Steel	NC
<input type="checkbox"/>	125AX5	Quick Release Titanium ^{17,18}	\$219.00
<input type="checkbox"/>	125AX11	Quad Quick Release ¹⁸	\$145.00
<input type="checkbox"/>	125AX16	Quad Quick Release Titanium ^{17,18}	\$286.00

Camber

<input type="checkbox"/>	125CB1	0°	NC
<input type="checkbox"/>	125CB13	2°	NC
<input type="checkbox"/>	125CB3	4°	NC
<input type="checkbox"/>	125CB5	8°	NC

Wheel Lock

<input type="checkbox"/>	125WL1	High Mount Push	NC
<input type="checkbox"/>	125WL2	High Mount Pull	NC
<input type="checkbox"/>	125WL5	High Mount Scissor ¹⁹	NC
<input type="checkbox"/>	125WL10	Omit Wheel Lock	NC
<input type="checkbox"/>	125WL12	Do Not Mount	NC

Rear Anti-Tip

<input type="checkbox"/>	125AT1	Rear Anti-Tip	\$99.00
<input type="checkbox"/>	125AT3	Omit Rear Anti-Tip	NC

ACCESSORIES**Backpack**

<input type="checkbox"/>	125A1	Black Utility Backpack	\$90.00
<input type="checkbox"/>	125A2	Black/Charcoal Kids	\$84.00

FOOTNOTES:

- 1 Note: Footrest is Preset 2" shorter than front seat height measurement - see matrix for lengths.
- 2 Not available with 0" inset or 5" caster and 1" inset.
- 3 Only available with platform footrest.
- 4 Not available with 3/4" or 1" axle spacing.
- 5 Not available with 0" inset on 80° or 85° frame angle.
- 6 Not available with 0° and 2° camber.
- 7 Not available with 0° camber.
- 8 Cannot omit wheels - Critical to set up.
- 9 Available with high pressure clincher tires, pneumatic tires, and latex tubular tires.
- 10 Standard with turbo tread tires; latex tubular available at no charge.
- 11 Only available with high pressure clinchers.
- 12 Only available with aluminum handrims and plastic-coated handrims.
- 13 Only available with 24" (540) wheels.
- 14 Not available with Quickie Performance wheel options.
- 15 Note: Possible interference of front casters with rear wheels.
- 16 Not available with folding backrest or height adjustable folding backrest.
- 17 Only available with Quickie Performance wheel options.
- 18 Not available with Spinerger wheels.
- 19 Not recommended with 14" or 15" seat depths, wheel lock arm does not recess completely under frame.
- 20 Not available with turbo tread.
- 21 Only available with aluminum handrims.
- 22 Only available with turbo tread.
- 23 Also available with pneumatic tires.

Seat Pouch			
<input type="checkbox"/>	125A8	Black	\$70.00
Spoke Guard			
<input type="checkbox"/>	125A23	WAML Black ¹	\$125.00
<input type="checkbox"/>	125A24	WAML Clear ¹	\$125.00
Side Guard			
<input type="checkbox"/>	125SG1	WAMV Fabric Regular ²	\$75.00
<input type="checkbox"/>	125SG2	WAMV Fabric Kids ²	\$75.00
<input type="checkbox"/>	125SG3	WAMV Plastic Regular	\$205.00
<input type="checkbox"/>	125SG4	WAMV Plastic Kids	\$205.00
<input type="checkbox"/>		Aluminum	\$350.00
<input type="checkbox"/>		Aluminum with Fender	\$400.00
Miscellaneous			
<input type="checkbox"/>	125A85	Bolt-On Push Handles	\$114.00
<input type="checkbox"/>	125A82	Caddy	\$72.00
<input type="checkbox"/>	125A136	Optional Rear Seat Tube Strut	\$98.00

FOOTNOTES:

¹ Not available with Spinergy wheels.

² Not available with adjustable upholstery.

TOTAL CHAIR PRICE \$ _____

JAY SEATING OPTIONS*

Select Cushion	Select Back
<input type="checkbox"/> Jay Basic	<input type="checkbox"/> Jay 2 Back Std Height
<input type="checkbox"/> Jay Soft Combi P	<input type="checkbox"/> Jay 2 Back Tall
<input type="checkbox"/> Jay Xtreme	<input type="checkbox"/> Jay Back
<input type="checkbox"/> Jay Xtreme S	<input type="checkbox"/> Jay 2 Xtreme
<input type="checkbox"/> Jay Triad	<input type="checkbox"/> Jay 2 Plus
<input type="checkbox"/> Jay Triad P	<input type="checkbox"/> Jay Care
<input type="checkbox"/> Jay Care	
<input type="checkbox"/> Jay Duo	Indicate Backrest Width
<input type="checkbox"/> Jay Easy	_____
<input type="checkbox"/> Jay 2	Indicate Exact Cushion Dimensions
<input type="checkbox"/> Jay 2 Recline	(w" x d") _____
<input type="checkbox"/> Jay 2 Deep Contour	

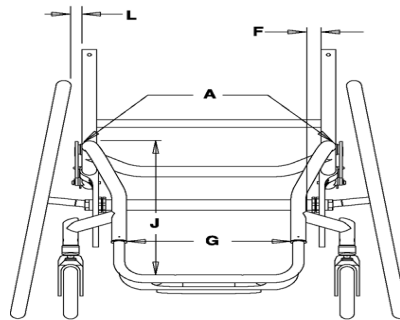
If a modification is necessary to achieve your cushion or backrest dimensions, do you want customer service to notify you prior to placing this order?

Please Choose

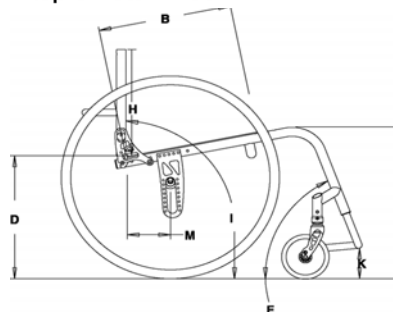
- Send Quote for any Modification
- Send Quote only when a modification has a charge
 - Fax me # _____
 - Email me _____

* Please see Jay Price List for latest pricing information. Also, note that Jay cushions and backs may ship from different distribution centers.

Front Seat Height .5" increments	Rear Seat Height 5" increments	Footrest Adjustability Range - Long (from sling - without cushion)	Footrest Adjustability Range - Long (from sling - without cushion)
C	D	J	J
20"	19"-16.5"	17.25"-14.25"	18.50"-15.50"
19.5"	18.5"-16"	16.75"-13.75"	18.00"-15.00"
19"	18"-15.5"	16.25"-13.25"	17.50"-14.50"
18.5"	17.5"-15"	15.75"-12.75"	17.00"-14.00"
18"	17"-14.5"	15.25"-12.25"	16.50"-13.50"
17.5"	16.5"-14"	14.75"-11.75"	16.00"-13.00"
17"	16"-13.5"	14.25"-11.25"	15.50"-12.50"
16.5"	15.5"-13"	13.75"-11.75"	15.00"-13.00"
16"	15"-12.5"	13.25"-11.25"	14.50"-12.50"



- A. Seat Width**
Measure from outside of seat tube to the outside of opposite seat tube.
- F. Inset**
Measure from the seat width—in from both sides (Taper). (0 inset) no taper, (1 inset) 1" taper on both sides, (2 inset) 2" taper on both sides.
- G. Footrest Width**
Measurement from inside of front frame to inside of opposite front frame. To determine your footrest width, use this formula:
Footrest Width=
Seat Width
-(tubing from both sides)
-(inset from both sides)
 Footrest Width=
 Seat Width-2"- (2 x inset)
 Example: 18" seat width, 2" inset:
 Footrest Width=18-2-(2 x 2)
 Footrest Width=16-4= 12"
- J. Seat to Footrest**
Measure from top of seat tube, at the beginning of bend, to top rear of footrest. Recommended 2" shorter than front seat height.
(note: footrest is preset 2" from floor)
- L. Rear Wheel Spacing**
Measured from outside of back post to inside top of rear wheel.



- B. Seat Depth**
Measure from front of the back post to the front edge of the seat upholstery.
- C. Front Seat Height**
Measure from top of seat tube, at beginning of bend, to the floor.
- D. Rear Seat Height (Adjustable)**
Measure from top of seat tube in the rear of the frame to the floor.
- E. Frame Angle**
Measure from frame front to floor.
- H. Seat Back Height**
Measure from the top of the back post to the top of the seat tube.
- I. Back Angle**
Measured from front of back post to floor. (Angle is factory preset to approx. 90° with 12° adjustability.)
- K. Footrest Height (Adjustable)**
Footrest height is factory set to 2" from the floor.
- M. Center of Gravity (Adjustable)**
Measure from front of back post at the seat tube to the center of rear axle.



Sunrise Medical
 237 Romina Drive, Unit 3
 Concord, Ontario, L4K 4V3
 (800) 263-3390

Section A

Standard chair weight includes:
 Tubular footrest w/o plate
 Small fork
 4" casters
 24" high pressure clinchers
 Fixed titanium backrest
 Backrest upholstery
 Seat sling w/hdwr, seat rails
 Medium axle plate

Quickie Ti Titanium Standard Chair Weights

		Width					
		13	14	15	16	17	18
Depth	14	16.38	16.51	16.64	16.77	16.90	17.03
	15	16.51	16.64	16.77	16.90	17.03	17.16
	16	16.64	16.77	16.90	17.03	17.16	17.29
	17	16.77	16.90	17.03	17.16	17.29	17.42
	18	16.90	17.03	17.16	17.29	17.42	17.55
	19	17.03	17.16	17.29	17.42	17.55	17.68

Section B

Quickie Ti Titanium Component Weights

Components	Weights Lbs	Components (cont.)	Weights Lbs
Standard Chair Weight (refer to section A chart)		Axles (Pair)	
Addition to Standard Weight		Steel	0.000
Subtraction from Standard Weight		Titanium	-0.100
Seating		Omit Axles	-0.500
No Cushion	0.000	Quad QR Axle Titanium	0.000
2" Cushion	1.261	Quad QR Axle Steel	0.150
Omit Seat Sling	-0.395	Handrims (Pair)	
Back Type		24" Aluminum Handrim Anodized	0.000
Titanium Non-ht folding	0.000	26" Aluminum Handrim Anodized	0.100
Titanium folding	0.123	24" Plastic Coat Handrim	1.100
Alum Ht Adj Back	0.817	26" Plastic Coat Handrim	1.350
Push-Handles (Pair)		Omit Handrims	-2.050
Bolt-On Push-Handles (Pair)	1.532	Wheel Locks (Pair)	
Fixed Height Fold-Down Push-Handles	1.685	High Mount Push Wheel Locks	0.640
Ht.-Adjustable Fold-Down Push-Handles	1.685	High Mount Pull Wheel Locks	0.640
Integral Push-Handles	0.750	High Mount Scissors	0.680
Back Upholstery		Wheel Lock Clamps (Pair)	
Standard Back Upholstery	0.000	Short Clamp	0.280
Adjustable Back Upholstery	1.350	Long Clamp	0.600
Omit Back Upholstery	-0.87	Rear Wheels (Pair) w/Aluminum Handrim	
Armrest (Pair)		24" QP Basketball	-0.050
Armrest	2.600	24" QP Heat Treated Basketball	-0.050
Footrest		24" QP Heat Treated Tennis (32h)	-0.230
Tubular with leg strap	0.000	24" QP Heat Treated Tennis (36h)	-0.200
Platform Footrest (12w)	1.075	24" QP Tennis	-0.050
Flared (12W)	0.211	24" Spinergy (540)	-0.750
Flat Cover (12W)	0.114	24" Spinergy (559)	-0.550
Omit Leg Strap	-0.145	24" Spoke	0.000
Adaptive Platform Spacers (Pair)		26" QP Heat Treated Tennis (36h)	1.350
2" Spacer	0.162	26" QP Tennis (36h)	1.350
4" Spacer	0.344	26" QP Basketball	1.450
6" Spacer	0.508	26" QP Heat Treated Basketball	1.450
Caster Wheels (Pair)		26" Spoke Wheel	0.450
3" Micro	-0.04	26" Spinergy (590)	-0.190
3" Micro Lighted	-0.04	Accessories	
4" Composite	0.000	BackPack Adult	0.450
4" Micro Lighted	0.330	BackPack Kids	0.250
5" Composite	0.340	Seat Pouch	0.200
5" Soft Roll Tire	1.410	Spoke Guard	1.700
Axle Plates (Pair)		Rear Anti-Tips (Pair)	0.944
Small (14" - 15" rear seat height)	-0.318	Caddy	0.500
Medium (16" - 17" rear seat height)	0.000	Side Guards (Pair)	
Large (18" - 19" rear seat height)	0.140	Fabric Side Guard Kids	0.200
Total Weights(total weights from above)		Fabric Side Guard Regular	0.250
To determine chair weight, add weights from section A and B		Plastic Side Guard Regular	1.840
Please note: that the following weights		Plastic Side Guard Kids	1.550
are approximations only. There can be		Total Weights(total weights from above)	
a variance of +/- .5lbs.		Total Weights	