

**SAVE THESE INSTRUCTIONS**

*NOTE: Check all parts for shipping damage. In case of shipping damage, DO NOT use. Contact carrier/dealer for further instruction.*

To ensure the safe installation, operation and use of the Flovair cushion, these instructions MUST be followed:

**⚠ WARNING**

**DO NOT** use this equipment without first reading and understanding these instructions. If you are unable to understand the **Warnings, Cautions, and Instructions**, contact distributor before attempting to use this equipment, otherwise, injury or damage may result.

**Check all parts for shipping damage and test before use. In case of damage, DO NOT use. Contact the distributor for further instructions.**

The Flovair cushion **IS NOT** designed for use in the treatment of pressure sores.

Skin condition should be checked very frequently after the installation of any new cushion.

Your therapist and physician should be consulted if you have any questions regarding weight relief, self-examination of the skin, or individual limitations and needs.

Make sure the hook and loop fastening straps are securely attached between the seating surface and cushion before using.

The Flovair cushion has a weight limitation of 250 lbs for cushion widths up to and including 20” and 350 lbs for cushion widths over 20”.

**⚠ ACCESSORIES WARNING**

Invacare products are specifically designed and manufactured for use in conjunction with Invacare accessories. Accessories designed by other manufacturers have not been tested by Invacare and are not recommended for use with Invacare products.

**⚠ INSTALLATION WARNING**

**After ANY adjustments, repair or service and before use, make sure that all attaching component parts are secure.**

*NOTE: Fluid in the pelvic pressure-relieving insert may have a tendency to migrate downward if the cushion is resting or stored in the vertical position. If this is the case, please remove the outer/inner cover to inspect the insert. If migration has occurred, gently knead the insert to ensure a uniform volume of fluid exists across the surface.*

For more information regarding Invacare products, parts, and services, please visit [www.invacare.com](http://www.invacare.com)

---

## Important Information

The best way to avoid problems related to pressure sores is to understand their causes and your role in a skin management program.

Your therapist and physician should be consulted if you have questions regarding individual limitations and needs.

All cushions should be selected carefully. Working with your therapist, and physician is the best way to assure that a cushion choice matches your individual needs.

As the needs of the individual become more complex, cushion evaluation becomes more important.

## Introduction

The Flovair cushion is designed to provide pelvic stability, leg positioning and pressure management for patients with postural asymmetry and skin integrity concerns. The Flovair cushion is available in two different contours to suit the amount of positioning required by the user.

## Outer/Inner Covers

The outer cover is made from a water resistant fabric to protect the foam. The top is fabricated from a stretch fabric. The bottom is fabricated from a heavyweight, non-skid fabric.

A water resistant inner cover allows air circulation while providing additional protection for the foam.

## Cushion Inspection and Cleaning

Regular cleaning and inspection of the outer and inner covers is recommended.

---

### **⚠ WARNING**

**DO NOT** continue to use this product if any of the upholstery materials, foams, and/or plastics are found to be deformed, breaking, worn, and/or compressed. Corrective maintenance can be performed at or arranged through your equipment supplier.

---

### **Outer Cover**

---

### **CAUTION**

**DO NOT** use fabric softeners or bleach. **DO NOT** machine dry. **Air dry only. DO NOT** dry in sun.

---

Machine wash the outer cover in cold water on gentle cycle using a mild detergent.

### **Inner Cover**

Hand clean the inner cover using a soft cloth, warm water and a mild soap solution. Rinse off and hang dry.

### **Foam**

Wipe the foam with a damp cloth. **DO NOT** submerge or soak.

---

# Attaching/Removing the Cushion To/From the Seating Surface

NOTE: For this procedure, refer to FIGURE 1.

NOTE: To remove the cushion from the seating surface, reverse the following procedure.

NOTE: The seating surface can be one of the following: seat upholstery, drop base or seat pan.

NOTE: The zipper on the cushion should ALWAYS face rearward.

---

## **⚠ WARNING**

**Make sure the hook and loop fasteners are securely attached to the seating surface and to the cushion BEFORE using. If the cushion is not secured to the seating surface, use caution when transferring in and out of the wheelchair.**

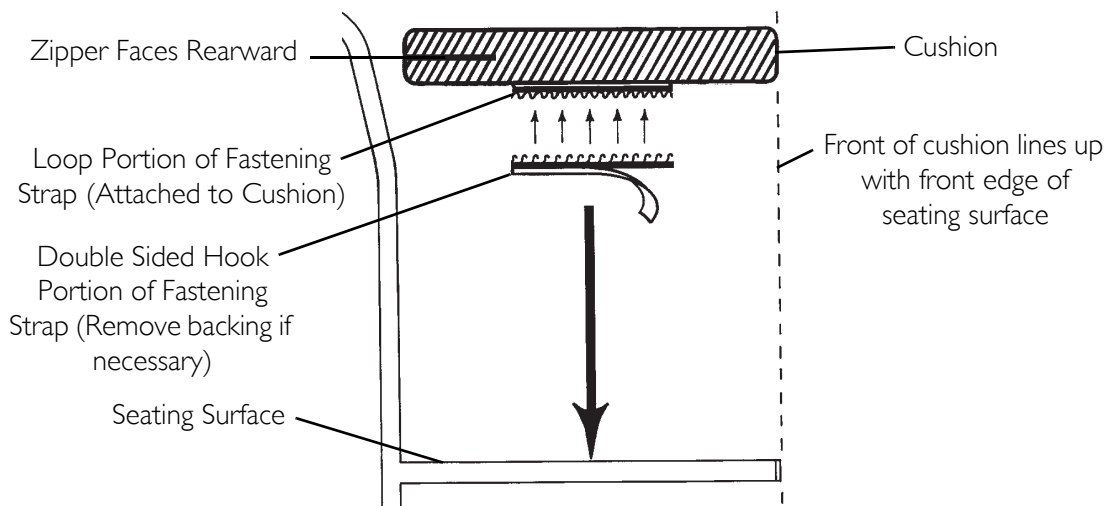
---

### Hook Attachment Strips/No Attachment Strips

1. Remove double sided hook from bottom of cushion.
2. Align front edge of cushion with front edge of seating surface.
3. Perform one of the following:
  - Hook Attachment Strips - Secure the cushion to the seating surface, making sure that the strips of loop on the cushion cover are securely attached to the strips of hook on the seating surface.
  - No Attachment Strips - Place the cushion on the seating surface.

### Loop Attachment Strips

1. Verify the double sided hook strips are securely attached to the loop attachment strips on the bottom of the cushion.
2. Align front edge of cushion with front edge of seating surface.
3. Secure the cushion to the seating surface, making sure that the double sided hook is securely attached to the strips of loop on the cushion cover and the seating surface.



**FIGURE 1** Attaching/Removing the Cushion To/From the Seating Surface

---

# Removing/Installing the cushion covers

## Removing the outer cover

*NOTE: For this procedure, refer to FIGURE 2.*

---

### **⚠ WARNING**

The covers are designed to protect the foam from moisture and to provide fire retardency. **DO NOT** use the cushion without either the inner or outer cover. If the covers are torn, they **MUST** be replaced **IMMEDIATELY**.

1. Remove the cushion from the seating surface. Refer to Attaching/Removing the Cushion To/From the Seating Surface on page 3.
2. Unzip the outer cover.
3. Remove cushion, still inside the inner cover, from the outer cover.

---

### **CAUTION**

**DO NOT** remove both the outer cover and inner cover at the same time, otherwise damage to the inner cover material may occur.

## Installing the outer cover

*NOTE: For this procedure, refer to FIGURE 2.*

1. Position the cushion with inner cover and the pelvic support layer in place toward the rear of the outer cover.

*NOTE: The pelvic support layer is at the top of the inner cover.*

*NOTE: The zipper is at the rear and the stretch fabric is at the top of the outer cover.*

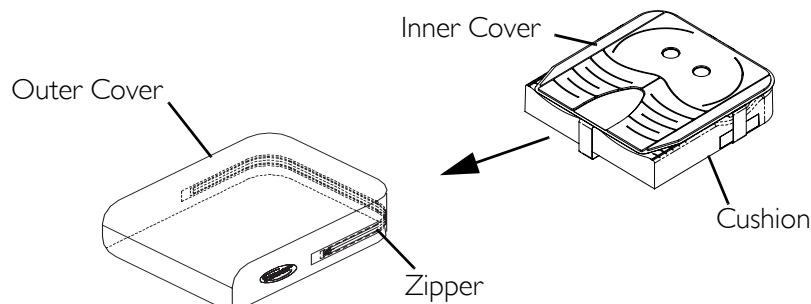
2. Slide the cushion into the outer cover.

---

### **CAUTION**

**Use care not to snag the inner cover in the outer cover zipper, or damage to the inner cover will occur.**

3. Zip the outer cover closed.
4. Reattach cushion onto seating surface. Refer to Attaching/Removing the Cushion To/From the Seating Surface on page 3.



**FIGURE 2** Removing/Installing the cushion covers - Installing the outer cover

---

## Removing the inner cover

*NOTE: For this procedure, refer to FIGURE 3.*

1. Remove the cushion from the outer cover. Refer to Removing the outer cover on page 4.
2. Unflap the inner cover.
3. Remove the cushion from the inner cover.

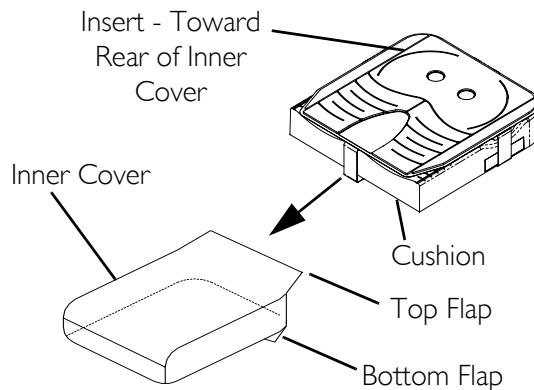
## Installing the inner cover

*NOTE: For this procedure, refer to FIGURE 3.*

1. Position the cushion with the pelvic support layer toward the rear of the inner cover.

*NOTE: The back surface of the cushion is marked "REAR".*

2. Slide the cushion into the inner cover.
3. Fold the top flap over and tuck it into the bottom cover.
4. Fold the bottom flap back.
5. Reinstall the cushion, with inner cover in place, into the outer cover. Refer to Installing the outer cover on page 4.



**FIGURE 3** Removing the inner cover - Installing the inner cover

---

## Removing/Installing the pelvic support layer

*NOTE: For this procedure, refer to FIGURE 4.*

*NOTE: The cushion comes with a fluid/air pelvic support layer.*

### Removing the pelvic support layer

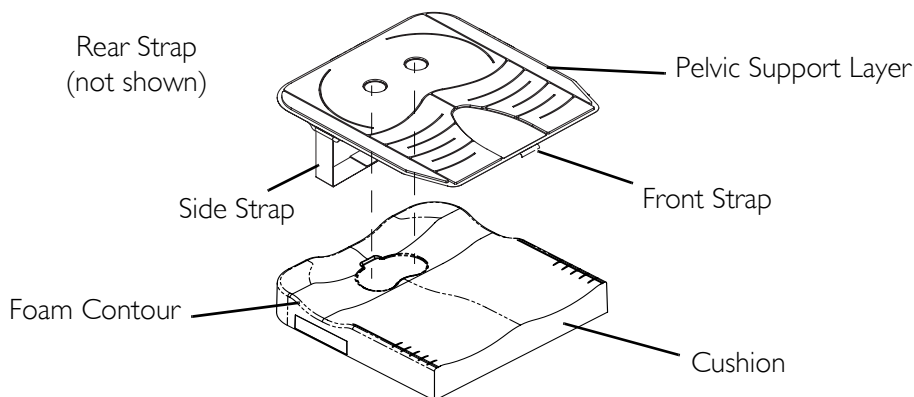
1. Remove cushion from inner and outer covers. Refer to [Removing/Installing the cushion covers](#) on page 4.
2. Unfasten the front strap, the rear strap, and the two side straps.
3. Lift the existing pelvic support layer and remove from the foam.

### Installing the pelvic support layer

1. Center the pelvic support layer on the foam so that the side straps are centered in the contours on each side of the foam.
2. Fasten the rear, front, and side straps together at the bottom of the foam.

*NOTE: DO NOT over-tighten the straps. The pelvic support layer MUST be free to move with the cushion.*

3. Reinstall cushion into inner and outer covers. Refer to [Removing/Installing the cushion covers](#) on page 4.



**FIGURE 4** Removing/Installing the pelvic support layer

---

## Removing/Installing Removable Leg Wedges

*NOTE: For this procedure, refer to FIGURE 5.*

*NOTE: This procedure provides 1-inch of lower seat to floor height on one side of the cushion. This modification allows for easier foot propelling or the accommodation of some hip flexion limitations.*

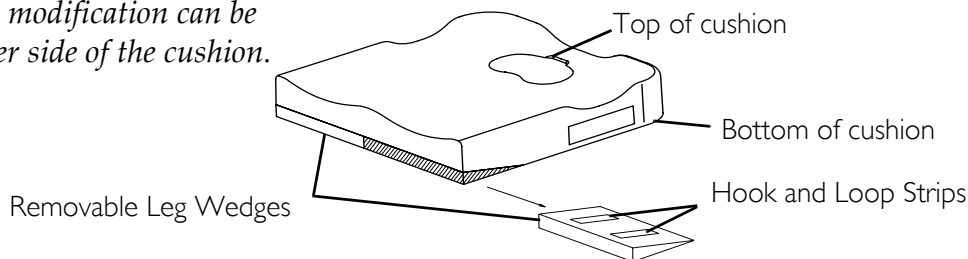
*NOTE: This modification can be done on either side of the cushion.*

1. Remove the cushion from the inner and outer covers. Refer to Removing/Installing the cushion covers on page 4.
2. Remove the pelvic support layer. Refer to Removing/Installing the pelvic support layer on page 6.
3. Remove the front leg wedge from the side of the cushion that requires a lower cushion to floor height. Save the leg wedge for future use.

*NOTE: Leg wedges secure in place with hook and loop strips.*

4. Reinstall the pelvic support layer. Refer to Removing/Installing the pelvic support layer on page 6.
5. Reinstall cushion into inner and outer covers. Refer to Removing/Installing the cushion covers on page 4.

*NOTE: This modification can be done on either side of the cushion.*



**FIGURE 5** Removing/Installing Removable Leg Wedges

---

# LIMITED WARRANTY

**PLEASE NOTE: THE WARRANTY BELOW HAS BEEN DRAFTED TO COMPLY WITH FEDERAL LAW APPLICABLE TO PRODUCTS MANUFACTURED AFTER JULY 4, 1975.**

This warranty is extended only to the original purchaser/user of our products.

This warranty gives you specific legal rights and you may also have other legal rights which vary from state to state.

Invacare warrants its product to be free from defects in materials and workmanship for the period of two years of use by original purchaser except for the cover, which is warranted for a period of 90 days of use by the original purchaser. If within such warranty period any such product shall be proven to be defective, such product shall be repaired or replaced, at Invacare's option. This warranty does not include any labor or shipping charges incurred in replacement part installation or repair of any such product. Invacare's sole obligation and your exclusive remedy under this warranty shall be limited to such repair and/or replacement.

For warranty service, please contact the dealer from whom you purchased your Invacare product. In the event you do not receive satisfactory warranty service, please write directly to Invacare at the address on the back cover. Provide dealer's name, address, model number, and the date of purchase, indicate nature of the defect and, if the product is serialized, indicate the serial number.

Invacare Corporation will issue a return authorization. The defective unit or parts **MUST** be returned for warranty inspection using the serial number, when applicable, as identification within thirty days of return authorization date. **DO NOT** return products to our factory without our prior consent. **C.O.D.** shipments will be refused; please prepay shipping charges.

**LIMITATIONS AND EXCLUSIONS: THE FOREGOING WARRANTY SHALL NOT APPLY TO SERIAL NUMBERED PRODUCTS IF THE SERIAL NUMBER HAS BEEN REMOVED OR DEFACED, PRODUCTS SUBJECT TO NEGLIGENCE, ACCIDENT, IMPROPER OPERATION, MAINTENANCE OR STORAGE, COMMERCIAL OR INSTITUTIONAL USE, PRODUCTS MODIFIED WITHOUT INVACARE'S EXPRESS WRITTEN CONSENT INCLUDING, BUT NOT LIMITED TO, MODIFICATION THROUGH THE USE OF UNAUTHORIZED PARTS OR ATTACHMENTS; PRODUCTS DAMAGED BY REASON OF REPAIRS MADE TO ANY COMPONENT WITHOUT THE SPECIFIC CONSENT OF INVACARE, OR TO A PRODUCT DAMAGED BY CIRCUMSTANCES BEYOND INVACARE'S CONTROL, AND SUCH EVALUATION WILL BE SOLELY DETERMINED BY INVACARE. THE WARRANTY SHALL NOT APPLY TO PROBLEMS ARISING FROM NORMAL WEAR OR FAILURE TO ADHERE TO THESE INSTRUCTIONS.**

**THE FOREGOING EXPRESS WARRANTY IS EXCLUSIVE AND IN LIEU OF ANY OTHER WARRANTIES WHATSOEVER, WHETHER EXPRESS OR IMPLIED, INCLUDING THE IMPLIED WARRANTIES OF MERCHANTABILITY AND FITNESS FOR A PARTICULAR PURPOSE, AND THE SOLE REMEDY FOR VIOLATIONS OF ANY WARRANTY WHATSOEVER, SHALL BE LIMITED TO REPAIR OR REPLACEMENT OF THE DEFECTIVE PRODUCT PURSUANT TO THE TERMS CONTAINED HEREIN, THE APPLICATION OF ANY IMPLIED WARRANTY WHATSOEVER SHALL NOT EXTEND BEYOND THE DURATION OF THE EXPRESS WARRANTY PROVIDED HEREIN. INVACARE SHALL NOT BE LIABLE FOR ANY CONSEQUENTIAL OR INCIDENTAL DAMAGES WHATSOEVER.**

**THIS WARRANTY SHALL BE EXTENDED TO COMPLY WITH STATE/PROVINCIAL LAWS AND REQUIREMENTS.**



### CONSERVER CES INSTRUCTIONS

*REMARQUE: Vérifiez toutes les pièces qu'elles n'aient pas subi de dégâts durant le transport. Le cas échéant, NE PAS utiliser. Contactez le Transporteur/Invacare pour obtenir des instructions.*

Pour assurer une installation et un usage correct et sans danger du coussin Flovair, il est **INDISPENSABLE** de respecter ces instructions:

### ⚠ AVERTISSEMENT

**NE PAS** utiliser cet équipement sans avoir d'abord bien lu et compris ces instructions. Si vous n'êtes pas capable de comprendre les Avertissements, Dangers et Instructions, contactez le distributeur avant d'essayer d'installer cet équipement sous risque de blessure ou dégâts.

Vérifiez toutes les pièces qu'elles n'aient pas subi de dégâts durant le transport et essayez avant utilisation. En cas de dégâts, **NE PAS** utiliser. Contactez le distributeur pour obtenir des instructions.

Le coussin Flovair **N'EST PAS** conçu pour être utilisé dans le cadre d'un traitement des escarres.

L'état de l'épiderme doit être contrôlé fréquemment après l'installation d'un nouveau coussin.

Consultez votre médecin ou votre thérapeute si vous avez des questions concernant le soulagement de votre poids, l'auto examen de la peau ou si vous avez des limitations ou besoins spécifiques personnels.

Avant utilisation, assurez-vous que les bandes d'attache à boucles et crochets soient fermement attachés entre la surface d'assise et le coussin.

Le coussin Flovair a une limite de poids de 113,4 kg (250 lb) pour les coussins jusqu'à 50,8 cm de large (20 po) et de 158,7 kg (350 lb) pour les coussins au-dessus de 50,8 cm (20 po).

### ⚠ AVERTISSEMENT CONCERNANT LES ACCESSOIRES

Les produits Invacare ont été conçus et fabriqués spécialement pour être utilisés avec les accessoires Invacare. Les accessoires conçus par d'autres fabricants n'ont pas été testés par Invacare et nous n'en recommandons pas l'utilisation avec les produits Invacare.

### ⚠ AVERTISSEMENT POUR L'INSTALLATION

Après **TOUT** réglage, réparation ou entretien, avant de réutiliser, assurez-vous que tous les éléments de fixation soient fermes.

*REMARQUE: Le fluide dans l'insert de soulagement de pression pelvienne peut avoir tendance à se déplacer vers la bas si le coussin reste ou est rangé en position verticale. Si c'est le cas, enlevez la housse extérieure/intérieure pour inspecter l'insert. S'il y a eu un déplacement, massez l'insert délicatement pour assurer une répartition uniforme du fluide sur l'intégralité de la surface.*

---

## Avis Important

Le meilleur moyen d'éviter les problèmes liés aux escarres est de bien en comprendre la cause et de comprendre votre rôle dans un programme de soins de la peau.

Consultez votre médecin ou votre thérapeute si vous avez des limitations ou besoins spécifiques personnels.

Tous les coussins doivent être sélectionnés méticuleusement. Le meilleur moyen pour vous assurer que le coussin choisis répond à vos besoins individuels est de travailler en coopération avec votre thérapeute et votre médecin.

Plus les besoins d'un patient deviennent complexes, plus le choix devient important.

## Introduction

Le coussin Flovair est conçu pour assurer la stabilité pelvienne, le positionnement des jambes et le contrôle de la pression aux patients affectés d'une asymétrie de la posture et d'un problème de l'épiderme. Le coussin Flovair est disponible en deux profils différents pour s'adapter à l'importance du positionnement requis par le patient.

## Housses Intérieure/Extérieure

La housse extérieure est constituée d'un tissu hydrofuge pour protéger la mousse. Le dessus est coupé en un tissu stretch. Le dessous est coupé en un tissu épais, non glissant.

Une housse intérieure hydrofuge permet la circulation de l'air tout en assurant une protection supplémentaire à la mousse.

## Inspection et nettoyage du coussin

Nous conseillons une inspection et un nettoyage régulier des housses extérieure et intérieure.

---

### **⚠ AVERTISSEMENT**

**CESSEZ d'utiliser ce produit si n'importe quelle pièce du recouvrement, de la mousse et/ou de plastic est déformée, cassée, usée et/ou déformée. Une réparation peut être effectuée ou organisée par votre fournisseur.**

---

### **Housse extérieure**

---

### **ATTENTION**

**N'UTILISEZ PAS d'adoucisseur ou d'eau de javel. PAS de séchage machine. Séchage à l'air uniquement. NE PAS sécher en plein soleil.**

---

Lavez la housse extérieure à la machine en eau froide et sur cycle léger avec un détergent doux.

### **Housse interne**

Nettoyez la housse interne à la main avec un chiffon doux, de l'eau tiède et une solution d'un savon doux. Rincez et pendez pour sécher.

### **Mousse**

Frottez la mousse avec un chiffon humide. NE PAS submerger ou tremper.

---

# Comment attacher/détacher le coussin sur/de la surface d'assise

REMARQUE: Pour cette procédure, consultez la FIGURE 1.

REMARQUE: Pour enlever le coussin de la surface d'assise, procédez en sens inverse.

REMARQUE: La surface d'assise peut être soit un siège rembourré, une base creuse ou une panne.

REMARQUE: La fermeture éclair du coussin doit TOUJOURS être vers l'arrière.

---

## **⚠ AVERTISSEMENT**

**Assurez-vous que les attaches à boucles et crochets soient attachés fermement à la surface d'assise et au coussin AVANT utilisation. Si le coussin n'est pas bien attaché à la surface d'assise, soyez prudent lors du transfert de et vers le fauteuil roulant.**

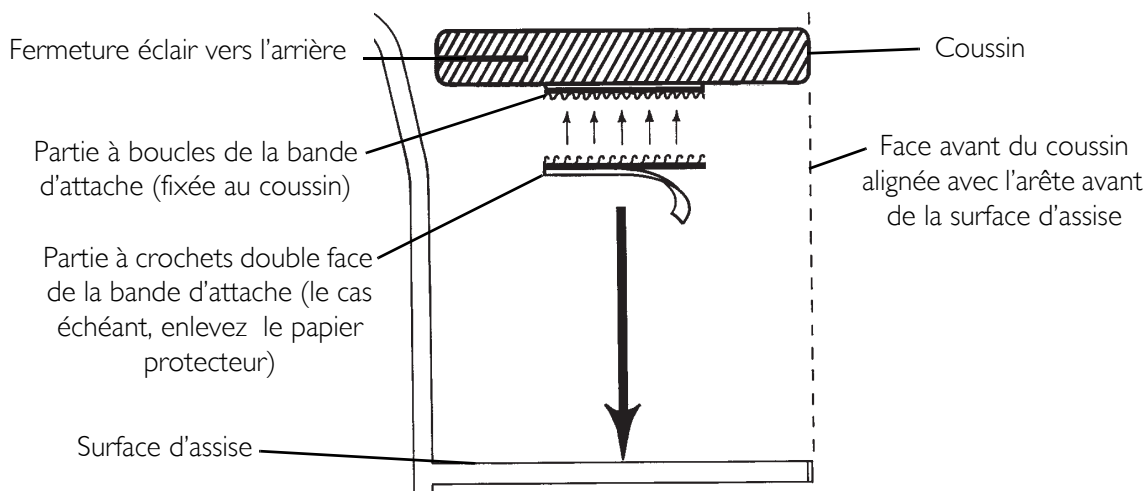
---

### **Bande d'attache à crochets/Pas de bande d'attache**

1. Enlevez la bande à crochets double face du dessous du coussin.
2. Alignez le bord avant du coussin avec le bord avant de la surface d'assise.
3. Procédez à un des deux :
  - Bande d'attache à crochets – Attachez le coussin sur la surface d'assise en vous assurant que les bandes à boucle du coussin soient fermement attachées aux bandes à crochets de la surface d'assise.
  - Pas de bandes d'attache – Placez le coussin sur la surface d'assise.

### **Bandes d'attache à boucles**

1. Vérifiez que les bandes à crochets double face soient fermement attachées aux bandes d'attache à boucles au dessous du coussin.
2. Alignez le bord avant du coussin avec le bord avant de la surface d'assise.
3. Attachez le coussin à la surface d'assise, en vous assurant que la bande à crochets double face est fermement attachée aux bandes à boucles sur la housse du coussin et sur la surface d'assise.



**FIGURE 1** Comment attacher/détacher le coussin sur/de la surface d'assise

---

# Enlèvement/Installation des housses de coussin

## Enlèvement de la housse extérieure

---

### **⚠ AVERTISSEMENT**

Les housses sont conçues pour protéger la mousse de l'humidité et être ignifuges. **NE PAS utiliser le coussin sans les housses extérieure et intérieure. Si les housses sont déchirées, elles doivent être remplacées IMMEDIATEMENT.**

---

1. Enlevez le coussin de la surface d'assise. Consultez [Comment attacher/détacher le coussin sur/de la surface d'assise](#) de la page 11.
  2. Ouvrez la housse extérieure.
  3. Enlevez le coussin, toujours dans sa housse intérieure, de la housse extérieure.
- 

### **ATTENTION**

**NE PAS enlever les deux housses, extérieure et intérieure, en même temps sous risque d'endommager le tissu de la housse intérieure.**

---

## Installation de la housse extérieure

*REMARQUE: Pour cette procédure, consultez la FIGURE 2.*

1. Mettre le coussin en place avec sa housse intérieure et son insert fluide/air à sa place vers l'arrière de la housse extérieure.

*REMARQUE: L'insert fluide/air est à la partie supérieure de la housse intérieure.*

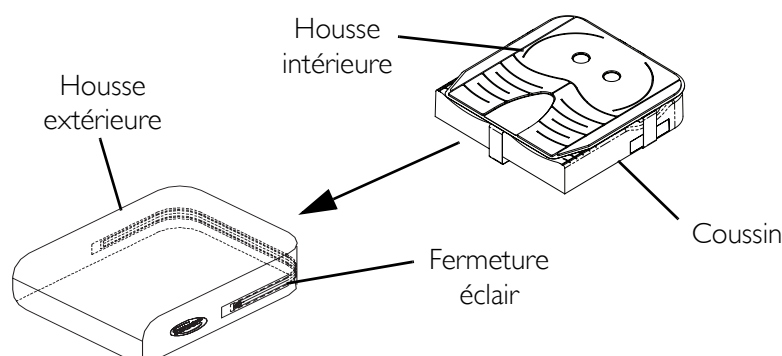
*REMARQUE: La fermeture éclair est à l'arrière et le tissu stretch est à la partie supérieure de la housse extérieure.*

2. Glissez le coussin dans la housse extérieure.
  3. Fermez la housse extérieure.
  4. Ré attachez le coussin sur la surface d'assise. Consultez [Comment attacher/détacher le coussin sur/de la surface d'assise](#) de la page 11.
- 

### **ATTENTION**

**Faites attention de ne pas coincer la housse intérieure dans le fermeture éclair de la housse extérieure sous risque d'abîmer la housse intérieure.**

---



**FIGURE 2** Enlèvement/Installation des housses de coussin - Installation de la housse extérieure

---

## Enlèvement de la housse intérieure

REMARQUE: Pour cette procédure, consultez la FIGURE 3.

1. Enlevez le coussin de sa housse extérieure. Consultez [Installation de la housse extérieure](#) de la page 12.
2. Enlevez le rabat de la housse intérieure.
3. Enlevez le coussin de la housse intérieure.

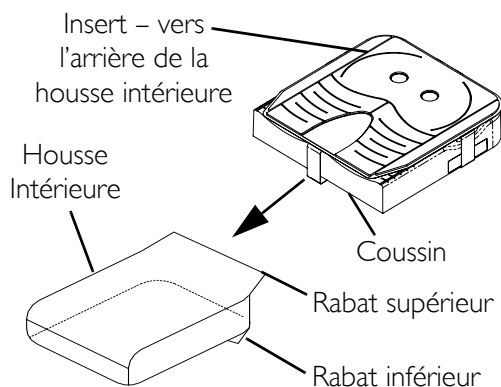
## Installation de la housse intérieure

REMARQUE: Pour cette procédure, consultez la FIGURE 3.

1. Positionnez le coussin avec son insert fluide/air vers l'arrière de la housse intérieure nouvelle/existante.

REMARQUE: La face arrière du coussin est marquée « REAR » (arrière).

2. Glissez le coussin dans la housse intérieure.
3. Pliez le rabat supérieur vers le dessus et poussez-le dans le fond de la housse.
4. Repliez le rabat inférieur.
5. Placez le coussin, avec sa housse intérieure, dans la housse extérieure. Consultez [Installation de la housse extérieure](#) de la page 12.



**FIGURE 3** Enlèvement de la housse intérieure - Installation de la housse intérieure

---

## Enlèvement/Installation de la couche de support pelvien

REMARQUE: Pour cette procédure, consultez la FIGURE 4.

REMARQUE: Le coussin est fournis avec une couche de support pelvien fluidelair.

### Enlèvement de la couche de support pelvien

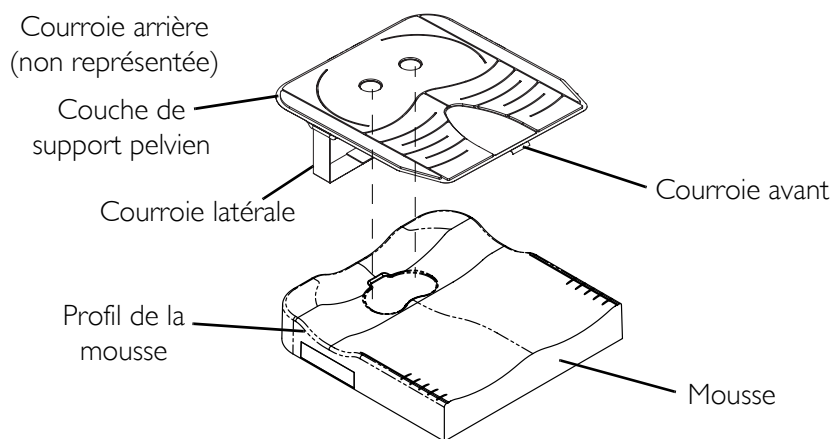
1. Enlevez le coussin des housses intérieure et extérieure. Consultez [Enlèvement/Installation des housses de coussin](#) de la page 12.
2. Défaites la courroie avant, la courroie arrière et les deux courroies latérales.
3. Soulevez la couche de support pelvien existante et enlevez-la de la mousse.

### Installation de la couche de support pelvien

1. Centrez la couche de support pelvien sur la mousse de manière que les courroies latérales soient centrées dans les profils de chaque côté de la mousse.
2. Attachez ensemble les courroies arrière, avant et latérales au-dessous de la mousse.

REMARQUE: Ne pas serrer excessivement les courroies. La couche de support pelvien doit pouvoir bouger avec le coussin.

3. Réinstallez le coussin dans les housses intérieure et extérieure. Consultez [Enlèvement/Installation des housses de coussin](#) de la page 12.



**FIGURE 4** Enlèvement/Installation de la couche de support pelvien

---

## Enlèvement/Installation des coins amovibles pour les jambes

REMARQUE: Pour cette procédure, se référer à la FIGURE 5.

REMARQUE: Cette procédure ajoute 25 mm de hauteur de bas du siège au sol, d'un côté. Cette modification permet un appui meilleur au pied ou de tenir compte d'un manque de flexibilité de la hanche.

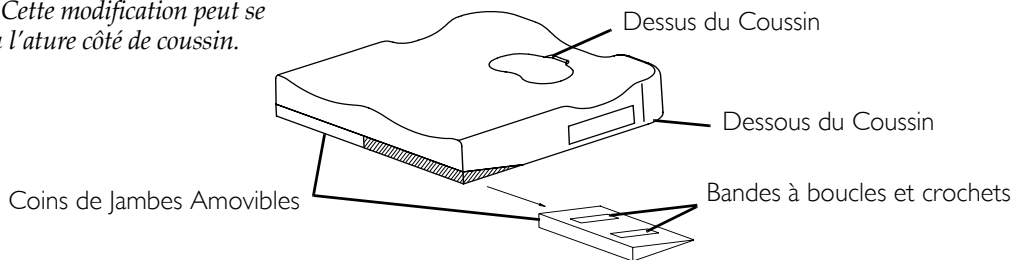
REMARQUE: Cette modification peut se faire sur l'un ou l'autre côté de coussin.

1. Enlevez le coussin des housses extérieure et intérieure. Consultez en page 13 Enlèvement/Installation de housses du coussin.
2. Enlevez les coins de jambe du côté du coussin qui demande une hauteur au sol réduite. Gardez le coin de jambe amovible pour usage futur.

REMARQUE: Les coins de jambe sont maintenus en place par des bandes à boucles et crochets.

3. Réinstallez le coussin dans les housses intérieure et extérieure. Consultez en page 13 Enlèvement/Installation de housses du coussin.

REMARQUE: Cette modification peut se faire sur l'un ou l'autre côté de coussin.



**FIGURE 5** Enlèvement/Installation des coins amovibles pour les jambes

---

# GARANTIE LIMITÉE

**REMARQUE : LA GARANTIE PRÉSENTÉE CI-DESSOUS A ÉTÉ MISE AU POINT EN CONFORMITÉ AVEC LA LOI FÉDÉRALE AMÉRICAINE SUR LES PRODUITS FABRIQUÉS APRÈS LE 4 JUILLET 1975.**

Cette garantie ne s'applique qu'à l'acheteur/utilisateur initial de notre produit.

Cette garantie vous donne des droits juridiques spécifiques mais vous pouvez également jouir de droits juridiques qui varient d'état à état.

Invacare garantit à l'acheteur/utilisateur original que ce produit est exempt de vices de matière et de fabrication pour deux ans d'utilisation par l'acheteur original, sauf pour la housse qui est garantie pour une durée de 90 jours d'utilisation par l'acheteur original. Si durant cette période couverte par la garantie un produit s'avère avoir des défauts, il sera réparé ou remplacé à la discrétion d'Invacare. Cette garantie ne comprend pas la main-d'œuvre ni les frais d'expédition qui seraient dus à l'installation de la pièce de rechange ou à la réparation de cette pièce sur un tel produit. L'obligation d'Invacare et votre recours exclusif sous cette garantie sont limités à une telle réparation ou à un tel remplacement.

Pour tout service couvert par la garantie, veuillez contacter le distributeur auprès duquel vous avez acheté votre produit Invacare. Dans le cas où vous n'obtenez pas satisfaction avec votre service de garantie, écrivez directement à Invacare à l'adresse qui se trouve sur la couverture au dos de cette brochure. Fournissez-nous le nom et l'adresse de votre distributeur, la date d'achat et indiquez la nature du défaut. Si le produit possède un numéro de série, indiquez-le également.

Invacare Corporation va émettre une autorisation de retour. Les unités ou pièces défectueuses doivent être renvoyées pour inspection de garantie en utilisant le numéro de série, le cas échéant, comme identification dans les trente jours qui suivent la date d'autorisation.

Ne renvoyez PAS les produits à l'usine sans notre accord préalable.

Les expéditions en port du seront refusées ; veuillez, s.v.p. payer le fret d'avance.

**LIMITATIONS ET EXCLUSIONS : LA PRÉSENTE GARANTIE NE S'APPLIQUE PAS AUX PRODUITS PORTANT DES NUMÉROS DE SÉRIE SI CES NUMÉROS ONT ÉTÉ SUPPRIMÉS OU EFFACÉS ; ELLE NE S'APPLIQUE PAS NON PLUS AUX PRODUITS QUI ONT ÉTÉ SUJETS À NÉGLIGENCE, ACCIDENTS, QUI ONT ÉTÉ UTILISÉS, ENTRETENUS OU STOCKÉS DE MANIÈRE INCORRECTE, QUI ONT ÉTÉ SUJET À UTILISATION COMMERCIALE OU INSTITUTIONNELLE, AUX PRODUITS QUI ONT ÉTÉ MODIFIÉS SANS AUTORISATION SPÉCIFIQUE ÉCRITE D'INVACARE, ENTRE AUTRES, MODIFICATION DE L'APPAREIL AVEC DES PIÈCES OU DES AJOUTS NON AUTORISÉS, DOMMAGES OCCASIONNÉS DURANT DES RÉPARATIONS EFFECTUÉES SUR L'UNE DES PIÈCES DE L'APPAREIL SANS L'ACCORD SPÉCIFIQUE PRÉALABLE D'INVACARE, DOMMAGES CAUSÉS PAR DES CONDITIONS QUI ÉCHAPPENT AU CONTRÔLE D'INVACARE ; INVACARE DÉTERMINERA SI L'UNE DES CONDITIONS CI-DESSUS S'APPLIQUE. LA GARANTIE NE S'APPLIQUE PAS AUX PROBLÈMES CAUSÉS PAR L'USURE NORMALE DE PRODUIT ET À L'UTILISATION NON CONFORME AUX INSTRUCTIONS FOURNIES.**

**LA PRÉSENTE GARANTIE EST EXCLUSIVE ET TIENT LIEU POUR TOUTES LES AUTRES GARANTIES EXPRESSES. LES GARANTIES IMPLICITES, SI ELLES EXISTENT, ENTRE AUTRES LES GARANTIES DE QUALITÉ MARCHANDE ET D'APTITUDE À UN EMPLOI DONNÉ NE SE PROLONGENT PAS AU-DELÀ DE LA PRÉSENTE GARANTIE EXPLICITE ; LES RECOURS AUX VIOLATIONS DE TOUTE GARANTIE IMPLICITE SONT LIMITÉS À LA RÉPARATION ET AU REMPLACEMENT DU PRODUIT DÉFECTUEUX DANS LES LIMITES DES DISPOSITIONS DE CE PRÉSENT DOCUMENT. L'APPLICATION D'UNE GARANTIE IMPLICITE QUELCONQUE NE POURRA PAS S'ÉTENDRE AU-DELÀ DE LA DURÉE DE LA GARANTIE EXPLICITE CI-DESSUS. INVACARE NE PEUT EN AUCUN CAS ÊTRE TENU POUR RESPONSABLE DE QUELCONQUE MANIÈRE QUE CE SOIT EN CAS DE DOMMAGES INDIRECTS OU ACCESSOIRES.**

**CETTE GARANTIE SERA ÉTENDUE POUR ÊTRE CONFORME AUX LOIS ET RÉGLEMENTATIONS DE VOTRE ÉTAT/PROVINCE.**



### CONSERVE ESTAS INSTRUCCIONES

*NOTE: Revise todas las partes por si sufrieron daños durante el envío. Si así fuera, NO use la unidad. Comuníquese con su distribuidor/empresa de transportes para obtener mayores instrucciones.*

A fin de instalar, operar y usar en forma segura el cojín Flovair, es FUNDAMENTAL acatar las siguientes instrucciones:

#### **⚠ ADVERTENCIA**

**ANTES** de usar este equipo, lea y comprenda cabalmente estas instrucciones. Si no entiende las advertencias, precauciones e instrucciones, comuníquese con su distribuidor antes de usar el equipo, de lo contrario podría sufrir lesiones o causar daños materiales.

Revise todas las partes por si sufrieron daños durante el envío y pruébelas antes de usarlas. Si presentan daños, **NO** use la unidad. Comuníquese con su distribuidor para obtener mayores instrucciones.

El cojín Flovair **NO** está diseñado para usarse en el tratamiento de úlceras causadas por presión. El estado de la piel debe revisarse con mucha frecuencia tras la instalación de cualquier cojín nuevo.

Consulte a su terapeuta o médico si tiene dudas sobre la forma de aligerar peso y autoexaminarse la piel, o acerca de sus limitaciones y necesidades individuales.

Cerciórese de que las tiras adherentes estén firmemente unidas entre la superficie del asiento y el cojín antes de usarlo.

El cojín Flovair tiene un límite de peso de 113,4 kg (250 lbs) para anchos de cojín hasta 50,8 cm (20 pul.) inclusive, y 158,7 kg (350 lbs) para anchos de cojín de más de 50,8 cm (20 pul.).

#### **⚠ ADVERTENCIA SOBRE ACCESORIOS**

Los productos Invacare están específicamente diseñados y fabricados para usarse con accesorios Invacare. Invacare no ha sometido a prueba los accesorios diseñados por otros fabricantes, por lo que no recomienda usar estos accesorios con productos Invacare.

#### **⚠ ADVERTENCIA DE INSTALACIÓN**

Después de realizar **CUALQUIER** ajuste, reparación o servicio y antes de usar la unidad, cerciórese de que todos los componentes de conexión estén seguros.

*NOTE: Si el cojín se coloca o guarda en posición vertical, es posible que el líquido en el inserto para el alivio de la presión pélvica tienda a irse hacia abajo. Si es así, retire la funda externa/interna para revisar el inserto. Si el líquido ha bajado, amase suavemente el inserto para cerciorarse de que toda la superficie tenga un volumen de líquido uniforme.*

Para obtener más información sobre los productos, partes y servicios de Invacare, visite el sitio [www.invacare.com](http://www.invacare.com)

---

## Información Importante

La mejor manera de evitar problemas relacionados con úlceras por presión es conocer sus causas y seguir un programa de tratamiento dérmico.

Consulte a su terapeuta o médico si tiene dudas sobre sus limitaciones y necesidades individuales.

Se deben seleccionar cuidadosamente todos los cojines. Trabaje junto con su terapeuta y médico para cerciorarse de escoger el cojín que mejor satisfaga sus necesidades.

Mientras más complejas sean las necesidades del paciente, mayor importancia tiene la evaluación del cojín.

## Introducción

El cojín Flovair está diseñado para brindar al usuario estabilidad pélvica, buena postura de las piernas y controlar la presión en pacientes con problemas de asimetría postural e integridad de la piel. El cojín Flovair se ofrece con dos contornos distintos para adaptarse a las diversas posturas requeridas por el usuario.

### Fundas externa/interna

La funda externa está hecha de una tela impermeable que protege la espuma. La parte superior está fabricada de tela elástica. La parte inferior está hecha de una tela gruesa antideslizante.

La funda interna impermeable permite la circulación del aire y a su vez brinda protección adicional a la espuma.

## Inspección y limpieza del cojín

Se recomienda limpiar y revisar regularmente las fundas externa e interna.

---

### **⚠ ADVERTENCIA**

**DISCONTINÚE el uso de este producto si los materiales de tapicería, las espumas o los materiales plásticos presentan deformaciones, rompimiento, desgaste o compresión. Su distribuidor puede realizar el mantenimiento correctivo o realizar las gestiones para ello.**

---

### Funda externa

---

### **PRECAUCIÓN**

**NO use suavizantes ni blanqueadores de tela. NO use máquina secadora. Séquela sólo al aire libre. NO la seque directamente al sol.**

---

Lave a máquina la funda externa, en agua fría, a ciclo lento y con detergente suave.

### Funda interna

Limpie a mano la funda interna con un paño suave, agua tibia y una solución detergente suave. Enjuáguela y cuélguela para secarla.

### Espuma

Limpie la espuma con un paño húmedo. NO la sumerja ni remoje.

---

## Instalación/Retiro del cojín en/de la superficie del asiento

NOTA: Para este procedimiento, consulte la FIGURA 1 on página 19.

NOTA: Para retirar el cojín de la superficie del asiento, invierta los siguientes procedimientos.

NOTA: El cojín va unido a la superficie del asiento mediante los sujetadores adherentes situados en la parte inferior de la funda del cojín.

NOTA: La cremallera del cojín SIEMPRE debe quedar orientada hacia atrás.

---

### **⚠ ADVERTENCIA**

**Cerciórese de que los sujetadores adherentes estén firmemente unidos a la superficie del asiento y al cojín ANTES de usarlo. Si el cojín no está asegurado a la superficie del asiento, se deberá tener cuidado al sentarse y pararse de la silla de ruedas.**

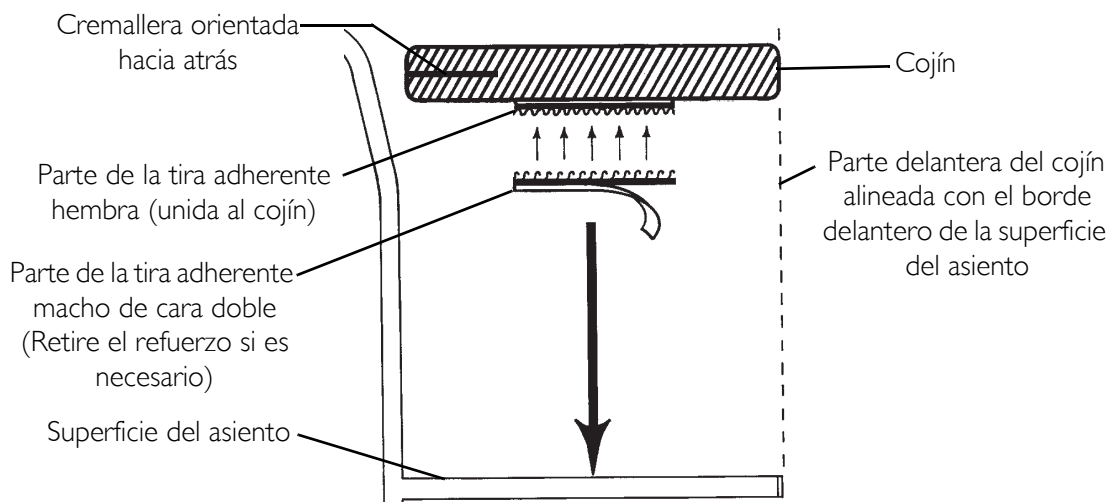
---

### **Tiras adherentes macho/sin tiras adherentes**

1. Retire de la parte inferior del cojín la tira adherente macho de cara doble.
2. Alinee el borde delantero del cojín con el borde delantero de la superficie del asiento.
3. Siga uno de los siguientes procedimientos:
  - Tiras adherentes macho - Asegure el cojín a la superficie del asiento cerciorándose de que las tiras adherentes hembra en la funda del cojín queden firmemente unidas a las tiras macho en la superficie del asiento.
  - Sin tiras adherentes – Coloque el cojín en la superficie del asiento.

### **Tiras adherentes hembra**

1. Verifique que las tiras adherentes macho de cara doble estén firmemente unidas a las tiras hembra en la parte inferior del cojín.
2. Alinee el borde delantero del cojín con el borde delantero de la superficie del asiento.
3. Asegure el cojín a la superficie del asiento cerciorándose de que la tira adherente macho de cara doble quede firmemente unida a las tiras hembra en la funda y la superficie del asiento.



**FIGURA 1** Instalación/Retiro del cojín en/de la superficie del asiento

---

# Retiro/Instalación de las fundas del cojín

## Retiro de la funda externa

---

### **⚠ ADVERTENCIA**

Las fundas están diseñadas para proteger la espuma contra la humedad y brindar piroresistencia. **NO** use el cojín sin la funda interna o externa. Si las fundas están deterioradas, reemplácelas **INMEDIATAMENTE**.

---

1. Retire el cojín de la superficie del asiento. Consulte la sección Instalación/Retiro del cojín en/de la superficie del asiento en la página 19.
  2. Abra la cremallera de la funda externa.
  3. Retire el cojín de la funda externa, sin sacarlo de su funda interna.
- 

### **PRECAUCIÓN**

**NO** retire simultáneamente las fundas externa e interna, ya que podría dañar el material de la funda interna.

---

## Instalación de la funda externa

*NOTA: Para este procedimiento, consulte la FIGURA 2.*

1. Coloque el cojín en la funda interna y el inserto de líquido/aire en su lugar hacia la parte posterior de la funda externa.

*NOTE: El inserto de líquido/aire está situado en la parte superior de la funda interna.*

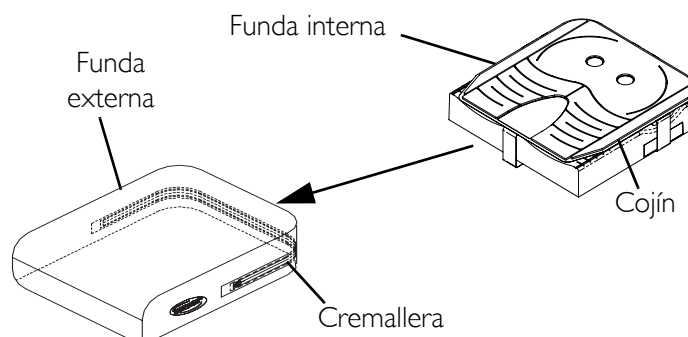
*NOTE: La cremallera está en la parte posterior y la tela elástica en la parte superior de la funda externa.*

2. Deslice el cojín dentro de la funda externa.
  3. Cierre la funda externa.
  4. Vuelva a instalar el cojín en la superficie del asiento. Consulte la sección Instalación/Retiro del cojín en/de la superficie del asiento en la página 19.
- 

### **PRECAUCIÓN**

**Tenga cuidado de evitar que la funda interna quede enganchada en la cremallera de la funda externa, pues si ello ocurre se dañará.**

---



**FIGURA 2** Retiro/Instalación de las fundas del cojín - Instalación de la funda externa

---

## Retiro de la funda interna

NOTA: Para este procedimiento, consulte la FIGURE 3.

1. Retire el cojín de la funda externa. Consulte la sección Retiro de la funda externa en la página 20.
2. Retire la solapa de la funda interna.
3. Retire el cojín de la funda interna.

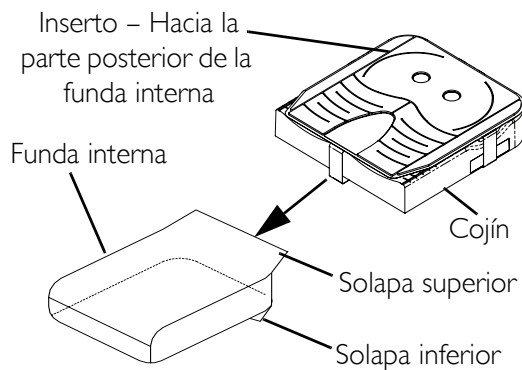
## Instalación de la funda interna

NOTA: Para este procedimiento, consulte la FIGURE 3.

1. Coloque el cojín con el inserto de líquido/aire hacia la parte posterior de la funda interna.

NOTA: La superficie posterior del cojín está marcada con la palabra "REAR".

2. Deslice el cojín dentro de la funda interna.
3. Doble la solapa superior e introdúzcala en la funda inferior.
4. Doble la solapa inferior hacia atrás.
5. Vuelva a instalar el cojín, con la funda interna en su lugar, en la funda externa. Consulte la sección Retiro de la funda externa en la página 20.



**FIGURE 3** Retiro de la funda interna - Instalación de la funda interna

---

## Retiro/Instalación de la capa de apoyo pélvico

NOTA: Para este procedimiento, consulte la FIGURA 4.

NOTA: El cojín viene con una capa de apoyo pélvico de líquido/aire.

### Retiro de la capa de apoyo pélvico

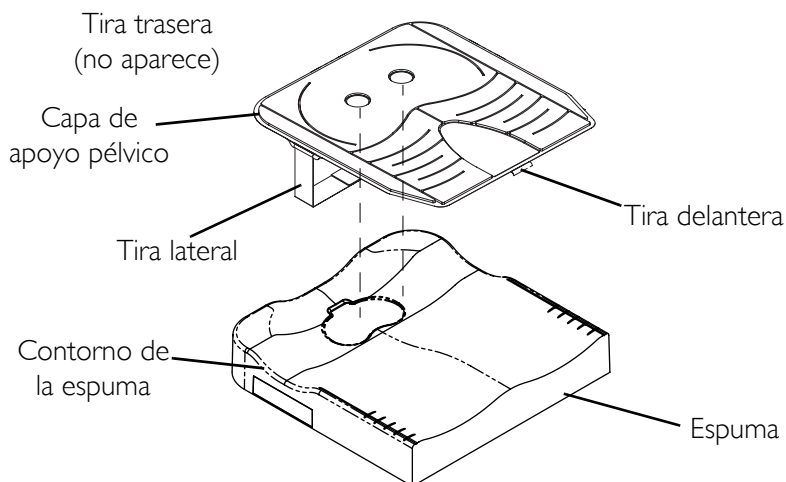
1. Retire el cojín de las fundas interna y externa. Consulte la sección Retiro/Instalación de las fundas del cojín en la página 20.
2. Desenganche las tiras delantera, trasera y las dos tiras laterales.
3. Levante la capa de apoyo pélvico y retírela de la espuma.

### Instalación de la capa de apoyo pélvico

1. Centre la capa de apoyo pélvico en la espuma de modo que las tiras laterales queden centradas en los contornos a cada lado de la espuma.
2. Asegure las tiras trasera, delantera y laterales entre sí en la parte inferior de la espuma.

NOTA: NO apriete excesivamente las tiras. La capa de apoyo pélvico debe quedar libre para moverse junto con el cojín.

3. Vuelva a instalar el cojín en las fundas interna y externa. Consulte la sección Retiro/Instalación de las fundas del cojín en la página 20.



**FIGURA 4** Retiro/Instalación de la capa de apoyo pélvico

---

## Retiro/Instalación de las cuñas desprendibles para piernas

NOTA: Para este procedimiento, consulte la FIGURE 5.

NOTA: Este procedimiento permite reducir en 1 pulgada (25 mm) la altura entre el asiento y el piso, en un lado. Esta modificación facilita el impulso con los pies o la adaptación a algunas limitaciones de flexión de las caderas.

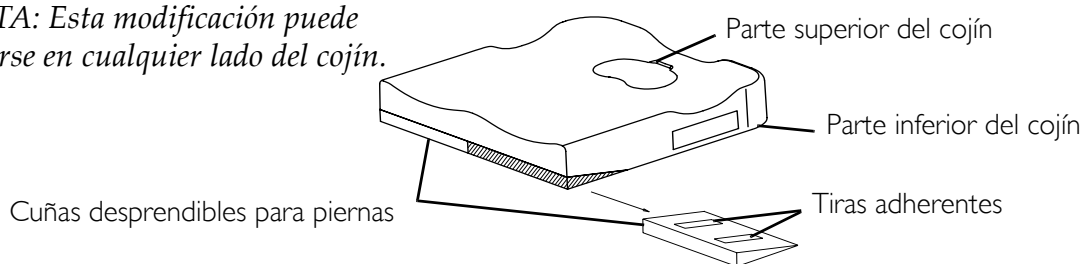
NOTA: Esta modificación puede hacerse en cualquier lado del cojín.

1. Retire el cojín de las fundas interna y externa. Consulte la sección Retiro/Instalación de las fundas del cojín en la página 20.
2. Retire la cuña para piernas del lado del cojín que requiere una menor altura entre el asiento y el piso. Conserve la cuña para usarla en el futuro.

NOTA: Las cuñas se afianzan en su lugar con las tiras adherentes.

3. Instale el cojín en las fundas interna y externa. Consulte la sección Retiro/Instalación de las fundas del cojín en la página 20.

NOTA: Esta modificación puede hacerse en cualquier lado del cojín.



**FIGURE 5** Retiro/Instalación de las cuñas desprendibles para piernas

# GARANTÍA LIMITADA

**TENGA PRESENTE: LA SIGUIENTE GARANTÍA HA SIDO REDACTADA PARA CUMPLIR CON LAS LEYES FEDERALES APLICABLES A PRODUCTOS FABRICADOS DESPUÉS DEL 4 DE JULIO DE 1975.**

Esta garantía sólo es válida para el comprador/usuario original de nuestros productos.

Esta garantía le otorga derechos específicos, y es posible que usted también tenga otros derechos legales que pueden variar de una jurisdicción a otra.

Invacare garantiza al comprador original que este producto no presentará defectos de material ni mano de obra durante un período de dos años de uso, excepto para la funda, la cual se garantiza por un período de 90 días. Si durante este periodo de vigencia de la garantía se demuestra que el producto presenta algún defecto, Invacare, a su criterio, lo reparará o reemplazará. Esta garantía no incluye los gastos por mano de obra ni envío en los cuales se incurra por la instalación de los repuestos o la reparación del producto. La única obligación de Invacare y la única solución para el comprador bajo esta garantía se limitará a dichas reparaciones y/o reemplazo.

Para obtener el servicio de garantía, comuníquese con el distribuidor a quien adquirió el producto Invacare. En caso de que usted no quede satisfecho con el servicio de garantía, escríbanos directamente a Invacare a la dirección que aparece en la próxima página. Indique el nombre y dirección del distribuidor, el número de modelo y la fecha de compra del producto, señale la naturaleza del defecto y adjunte el número de serie del producto si lo tuviera.

Invacare Corporation le asignará una autorización de devolución. Envíe la unidad o las partes para ser revisadas adjuntando su número de serie, si corresponde, como identificación dentro de treinta días a partir de la fecha de autorización de la devolución. **NO** devuelva el producto a la fábrica sin antes contar con nuestra autorización. No se aceptan envíos con pago contra entrega (C.O.D). Devuelva el producto con flete prepago.

**LIMITACIONES Y EXCLUSIONES: LA PRESENTE GARANTÍA NO SE APLICARÁ A PRODUCTOS CUYO NÚMERO DE SERIE HAYA SIDO RETIRADO O ESTROPEADO; A PRODUCTOS AFECTADOS POR USO NEGLIGENTE, ACCIDENTES, USO INCORRECTO, MANTENIMIENTO O ALMACENAMIENTO INADECUADOS; USO COMERCIAL O INSTITUCIONAL; A PRODUCTOS MODIFICADOS SIN LA AUTORIZACIÓN EXPRESA Y POR ESCRITO DE INVACARE, INCLUYENDO, PERO SIN LIMITARSE A ELLO, MODIFICACIONES MEDIANTE EL USO DE PARTES O ACCESORIOS NO AUTORIZADOS; PRODUCTOS DAÑADOS POR REPARACIONES EFECTUADAS A ALGÚN COMPONENTE SIN LA APROBACIÓN ESPECÍFICA DE INVACARE; O A PRODUCTOS DAÑADOS POR CIRCUNSTANCIAS QUE ESCAPAN AL CONTROL DE INVACARE, CUYA EVALUACIÓN PERTINENTE SERÁ DETERMINADA EXCLUSIVAMENTE POR INVACARE. ESTA GARANTÍA NO CUBRE LOS PROBLEMAS QUE SURJAN DEL DESGASTE NORMAL NI LAS FALLAS QUE OCURRAN POR NO ACATAR ESTAS INSTRUCCIONES.**

**ESTA GARANTÍA EXPRESA ES EXCLUSIVA Y REEMPLAZA A TODAS LAS GARANTÍAS, YA SEAN EXPRESAS O IMPLÍCITAS, INCLUYENDO TODAS LAS GARANTÍAS IMPLÍCITAS DE COMERCIABILIDAD E IDONEIDAD PARA UN FIN O USO EN PARTICULAR, Y LA ÚNICA SOLUCIÓN POR EL INCUMPLIMIENTO DE CUALQUIER GARANTÍA SE LIMITARÁ A LA REPARACIÓN O REEMPLAZO DEL PRODUCTO DEFECTUOSO, CONFORME A LOS TÉRMINOS ESTABLECIDOS EN ESTA GARANTÍA. LA APLICACIÓN DE CUALQUIER GARANTÍA IMPLÍCITA NO SE EXTENDERÁ MÁS ALLÁ DEL PERIODO DE VIGENCIA DE ESTA GARANTÍA EXPRESA. INVACARE NO SERÁ RESPONSABLE POR DAÑOS CONSECUENTES O INCIDENTALES DE NINGÚN TIPO.**

**ESTA GARANTÍA SE EXTENDERÁ PARA CUMPLIR CON LAS LEYES Y REQUISITOS ESTATALES/PROVINCIALES.**

Invacare Corporation

[www.invacare.com](http://www.invacare.com)

## USA

One Invacare Way  
Elyria, Ohio USA  
44036-2125  
800-333-6900

## Canada

570 Matheson Blvd. E Unit 8  
Mississauga Ontario  
L4Z 4G4 Canada  
800-668-5324

All rights reserved. Trademarks are identified by <sup>TM</sup> and <sup>®</sup>. All trademarks are owned by or licensed to Invacare Corporation unless otherwise noted.

© 2008 Invacare Corporation

Part No 1141447

Rev B - 09/08



*Yes, you can.*