



SAFETY SUMMARY

Check all parts for shipping damage before using. In case of damage, do not use. Contact the dealer for further instructions.

NOTICE

The information contained in this document is subject to change without notice. No part of this document may be photocopied or reproduced without the prior written consent of Invacare Corporation.

WARNING

DO NOT install, maintain or operate this equipment without reading, understanding, and following the proper Invacare instructions, otherwise injury or damage may result.

Your therapist and physician should be consulted if you have any questions regarding individual limitations and needs.

Hint For Installation:

Before you install the hardware, determine where the back cushion must be placed in relation to the seat cushion. Find the appropriate recline angle and seat depth, and estimate where the cane clamps will be mounted. Remove any obstacles on the wheelchair canes that might interfere with installation.

INSTALLATION OF WHEELCHAIR HARDWARE (FIGURE 1)

The wheelchair hardware consists of 2 regular cane clamps and 2 Quick-Lock cane clamps. The wheelchair hardware must be mounted facing forward (in front of the canes) with the Quick-Lock clamps at the top and the regular clamps at the bottom.

1. Identify the diameter of the tubing on which you will mount the cane clamps.

NOTE: If the diameter of the tubing on which you are mounting the cane clamps is less than 3/4 inch you will need to adjust the straps and use the second hole.

2. Remove the two (2) phillips pan head screws not holding the straps to the clamp blocks, and keep them available.
3. Place the clamp block with the two straps attached in the clamp base so that the screws holding the straps are facing towards the wheelchair.

4. Bend the straps out slightly and place the clamp base and clamp block on the wheelchair cane, facing forward. Make sure that the set screws (item 3) are fully retracted.

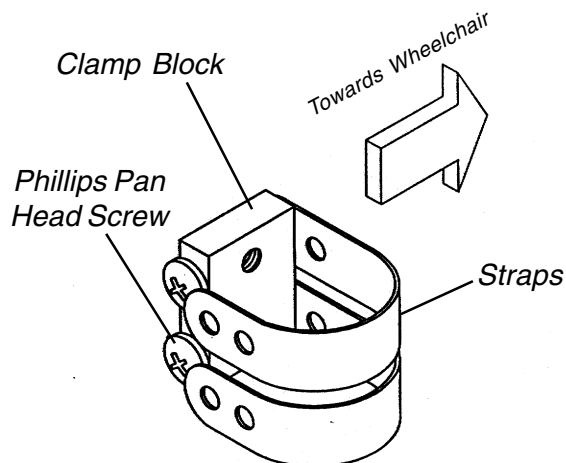
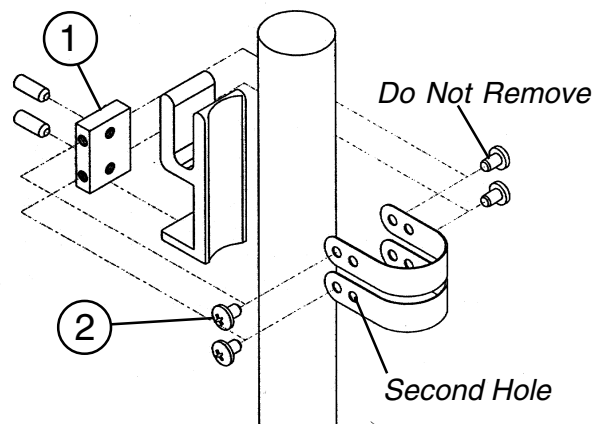


FIGURE 1 - INSTALLATION OF WHEELCHAIR HARDWARE

5. Take the two phillips pan head screws (item 2) that you previously removed from the clamp block and thread them loosely into the straps.
6. While holding the clamp, bend the strap around the tube with your thumb so that the loose screw (hanging in the strap hole) lines up with threaded hole in the clamp (item 1).
7. Use a phillips head screwdriver to secure the screw in the threaded hole with a few turns.
8. Repeat steps 0 - 0 for the other strap.

NOTE: Do not put too much tension on the set screws. You will find that the cane clamps won't slip, even with moderately light tension on the straps.

- Slide the bracket into position and, using the small hex key wrench, tighten the set screws (item 3) somewhat so that the bracket will grip the wheelchair cane.

NOTE: Do not tighten the set screws all the way. It is likely that final placement adjustments may be necessary after the back cushion is mounted.

- Mount all 4 cane clamps as shown, with the QuickLock clamps at the top. Make sure that all of the clamps are lined up horizontally, and that they are facing straight forward (see figure 3).

WARNING

Make sure that all screws and adjustments are tightened properly, otherwise serious injury or damage may result.

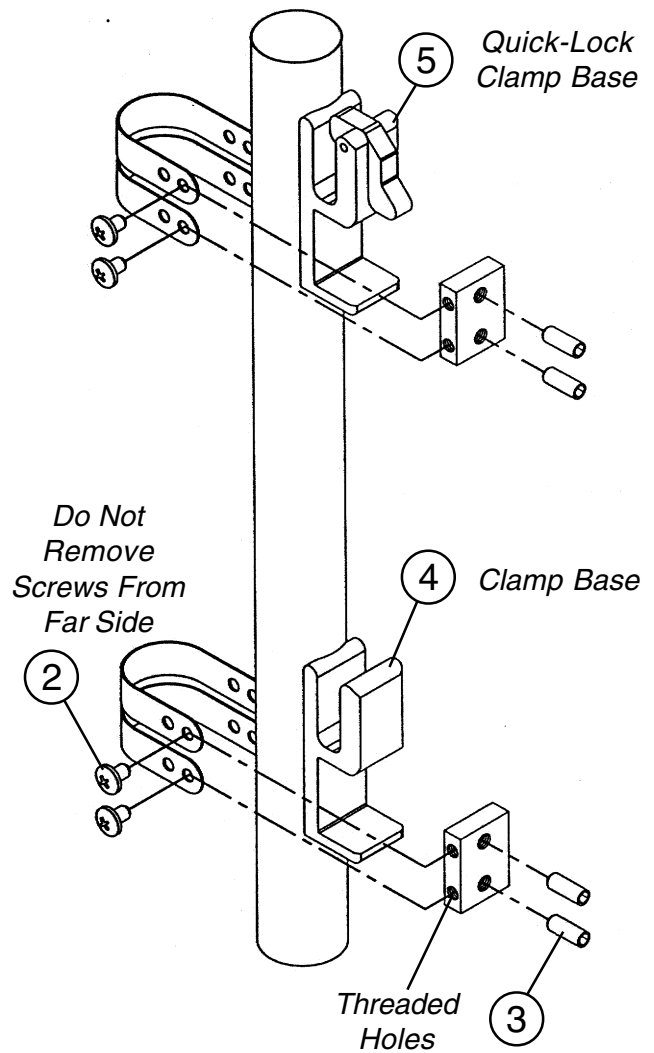


FIGURE 3

LIMITED WARRANTY

PLEASE NOTE: THE WARRANTY BELOW HAS BEEN DRAFTED TO COMPLY WITH FEDERAL LAW APPLICABLE TO PRODUCTS MANUFACTURED AFTER JULY 4, 1975.

This warranty is extended only to the original purchaser/user of our products.

This warranty gives you specific legal rights and you may also have other legal rights which vary from state to state.

INVACARE warrants the products manufactured by it to be free from defects in materials and workmanship for a period of one (1) year from date of purchase. If during such warranty period any such product shall be proven to be defective, such product shall be repaired or replaced, at the option of INVACARE. The purchaser of the product shall, at the purchaser's expense, return the defective product to the dealer. Any defective component shall be the property of INVACARE and may be retained by it. The sole obligation of INVACARE under this warranty shall be to repair and/or replace the product or component.

For warranty service, please contact the dealer from whom you purchased your INVACARE product. In the event you do not receive satisfactory warranty service, please write directly to INVACARE at the address on the back cover. Provide dealer's name, address, the product model number and the date of purchase, indicate nature of the defect and, if the product is serialized, indicate the serial number. Do not return products to our factory without our prior consent.

LIMITATIONS AND EXCLUSIONS: THE FOREGOING WARRANTY SHALL NOT APPLY TO SERIAL NUMBERED PRODUCTS IF THE SERIAL NUMBER HAS BEEN REMOVED OR DEFACED, PRODUCTS SUBJECTED TO NEGLIGENCE, ACCIDENT, IMPROPER OPERATION, MAINTENANCE OR STORAGE, PRODUCTS MODIFIED WITHOUT INVACARE'S EXPRESS WRITTEN CONSENT INCLUDING, BUT NOT LIMITED TO, MODIFICATION THROUGH THE USE OF UNAUTHORIZED PARTS OR ATTACHMENTS; PRODUCTS DAMAGED BY REASON OF REPAIRS MADE TO ANY COMPONENT WITHOUT THE SPECIFIC CONSENT OF INVACARE, OR TO A PRODUCT DAMAGED BY CIRCUMSTANCES BEYOND INVACARE'S CONTROL, AND SUCH EVALUATION WILL BE SOLELY DETERMINED BY INVACARE. THE WARRANTY SHALL NOT APPLY TO PROBLEMS ARISING FROM NORMAL WEAR OR FAILURE TO ADHERE TO THE FOLLOWING INSTRUCTIONS.

THE FOREGOING WARRANTY IS EXCLUSIVE AND IN LIEU OF ALL OTHER EXPRESS WARRANTIES. IMPLIED WARRANTIES, IF ANY, INCLUDING THE IMPLIED WARRANTIES OF MERCHANTABILITY AND FITNESS FOR A PARTICULAR PURPOSE, SHALL NOT EXTEND BEYOND THE DURATION OF THE EXPRESSED WARRANTY PROVIDED HEREIN AND THE REMEDY FOR VIOLATIONS OF ANY IMPLIED WARRANTY SHALL BE LIMITED TO REPAIR OR REPLACEMENT OF THE DEFECTIVE PRODUCT PURSUANT TO THE TERMS CONTAINED HEREIN. INVACARE SHALL NOT BE LIABLE FOR ANY CONSEQUENTIAL OR INCIDENTAL DAMAGES WHATSOEVER.

THIS WARRANTY SHALL BE EXTENDED TO COMPLY WITH STATE/PROVINCIAL LAWS AND REQUIREMENTS.

Invacare Corporation

www.invacare.com



USA
One Invacare Way
Elyria, Ohio USA
44036-2125
800-333-6900

Canada
5970 Chedworth Way
Mississauga, Ontario
L5R 3T9, Canada
905-890-8838

Invacare is a registered trademark of Invacare Corporation.
© 1999 Invacare Corporation

Form No. 99-121 Part No. 0900110 Rev D (4) 12/99